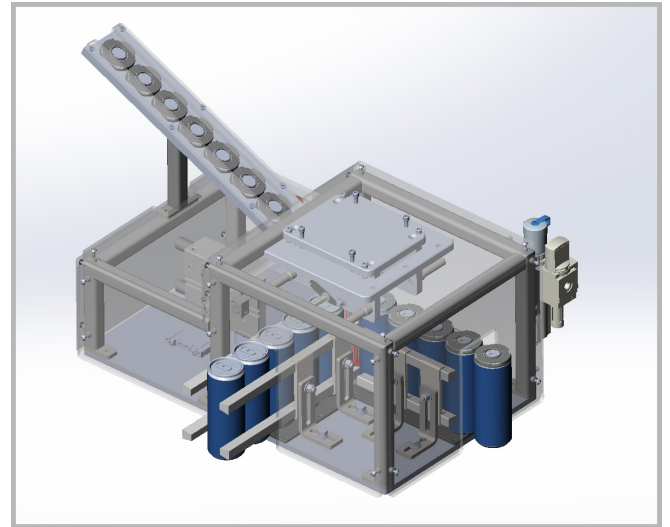




PLA 40

PAKLOCK APPLICATOR

*On demand PakLock application
optimized to meet customer's
required output rate*



DESIGN

- Single Lane applicator to apply PakTech PakLock handles
- The system applies PakLock handles to filled beverage cans
- Cans are pneumatically driven through the application area
- Side feed conveyor layout
- Attaches/Fits to an existing conveyor

STANDARD COMPONENTS

- Anodized aluminum feed and application assembly
- Fully welded brushed stainless steel frame construction
- Festo pneumatic components

OPERATION

- 40 cycle per minute on demand PakLock application rate
- Adjustments for 12oz and 16oz can application
- Operator required for manual loading of PakLock feeder

OPTIONS

- 19.2oz can change over parts
- Sleek can change over parts

UTILITIES

- 80 psi air @ 4-8 SCFM
- 40 cans/minute (20% safety margin)